



KSG-SM SERIES

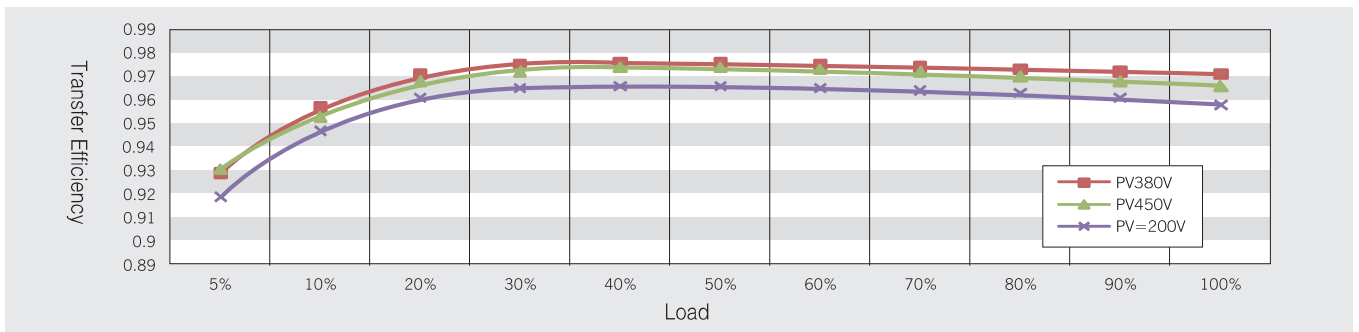
KSG-2KW-SM

- Max PV Voltage up to 500V
- Single MPPT
- High efficiency up to 97.5%
- Smaller and Lighter
- IP65 protection
- Easy installation

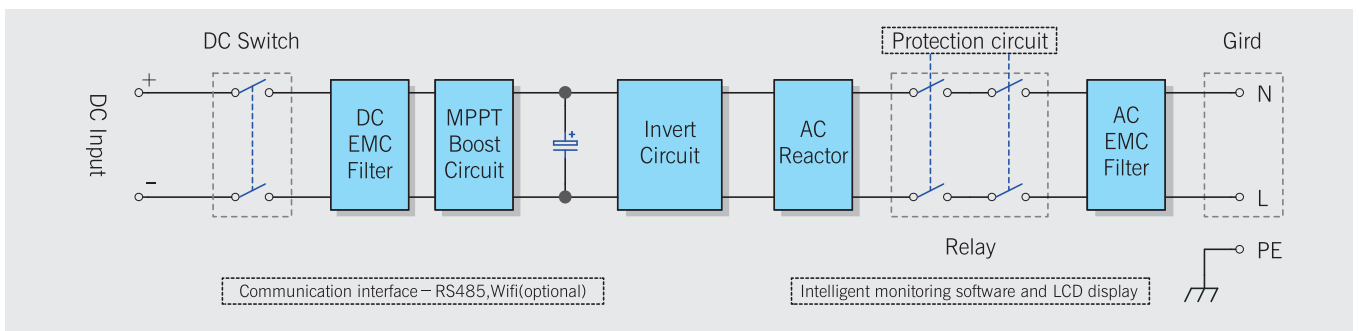


CE、TUV (VDE 4105/VDE 0126)、SAA

Efficiency curve



Circuit diagram



KSG-SM Series Technical Specifications

Model		KSG-2K-SM	
Input (DC)			
Max. DC power	2600W		
Max. DC voltage / Norminal DC voltage	500Vdc / 380Vdc		
MPPT voltage range	100~490Vdc		
Full load MPPT voltage range	190~400Vdc		
Min. / start DC voltage	120 / 130Vdc		
Number of MPP trackers	1		
Strings per MPP tracker	1		
Max. input current per MPP tracker	11A		
Output (AC)			
Max. AC output Power	2000W		
Norminal AC voltage	230Vac		
AC voltage range	230Vac±20%		
Norminal AC grid frequency	50 / 60Hz		
AC grid frequency range	50 / 60Hz(±5Hz)		
Max. output current	9A		
Power factor (cos φ)	1		
THDI	<3%		
AC connection	LN+PE		
Topology	Transformerless		
Efficiency			
Max. efficiency	97.6%		
Euro efficiency	97%		
MPPT efficiency	99.90%		
Consumption: standby / night	<5W / <0.2W		
Protection devices			
PV input insulation protection	DC overvoltage protection	DC surge protection/AC surge protection	
AC short-circuit protection	AC overfrequency protection	AC overcurrent protection	
Ground fault monitoring	Anti-islanding protection	Leakage current protection	
Mechanism Data			
Dimensions (W / L / D) in mm	264 / 326 / 127		
Weight	8.1Kg		
Environment Data			
Operating temperature range	-25°C ~ +60°C		
Noise emission (typical)	≤ 25dB		
Cooling concept	Natural cooling		
Protection rating	IP65		
Features			
LCD display	Yes		
Interfaces	RS485 / WIFI (External)		
Optional	DC Switch / WIFI		

Specifications subject to change without prior notice.